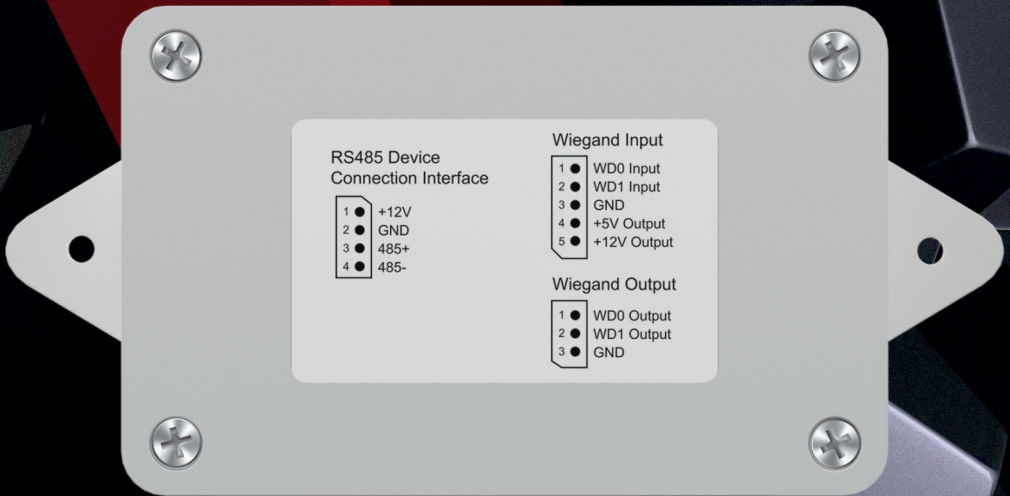


SH-12





General characteristics

- Interface for connecting to BAS-IP panels: RS485 (A&B)
- Power supply: +12 V DC; Powered by the BAS-IP panels
- Current consumption: 0.15A
- Interface for connecting external readers: Wiegand 26, 34, 58, 64, 66 bit
- Interface for connecting access controllers: Wiegand 26, 34, 58, 64, 66 bit
- Operating temperature: -40 - +70°C
- Storage temperature: -15 - +65°C
- Permissible humidity: 20 - 80%
- Degree of protection: IP30C
- Weight: 0.11 kg
- Dimensions without brackets: 82 x 56 x 34 mm
- Dimensions with brackets: 115 x 56 x 34 mm

INPUT / OUTPUT EXTERNAL WIEGAND MODULE

SH-12

Device description

The SH-12 is an external device connection module for Wiegand interface to any BAS-IP panels.

This module is designed to connect external readers with a Wiegand output interface, as well as external access controllers with a Wiegand input interface.

It allows you to connect various external devices such as contactless card readers, key fobs, keys, access keypads, etc., which have a Wiegand physical interface at their output.

Additionally, it can be used to connect any external access controllers that have a physical Wiegand interface for reader input.

Additional features

- Power output for connected external readers with a power voltage of +12 V DC.
- Alternative power output for external readers with a power voltage of +5 V DC.
- Activity and data transmission intensity indicator LED.

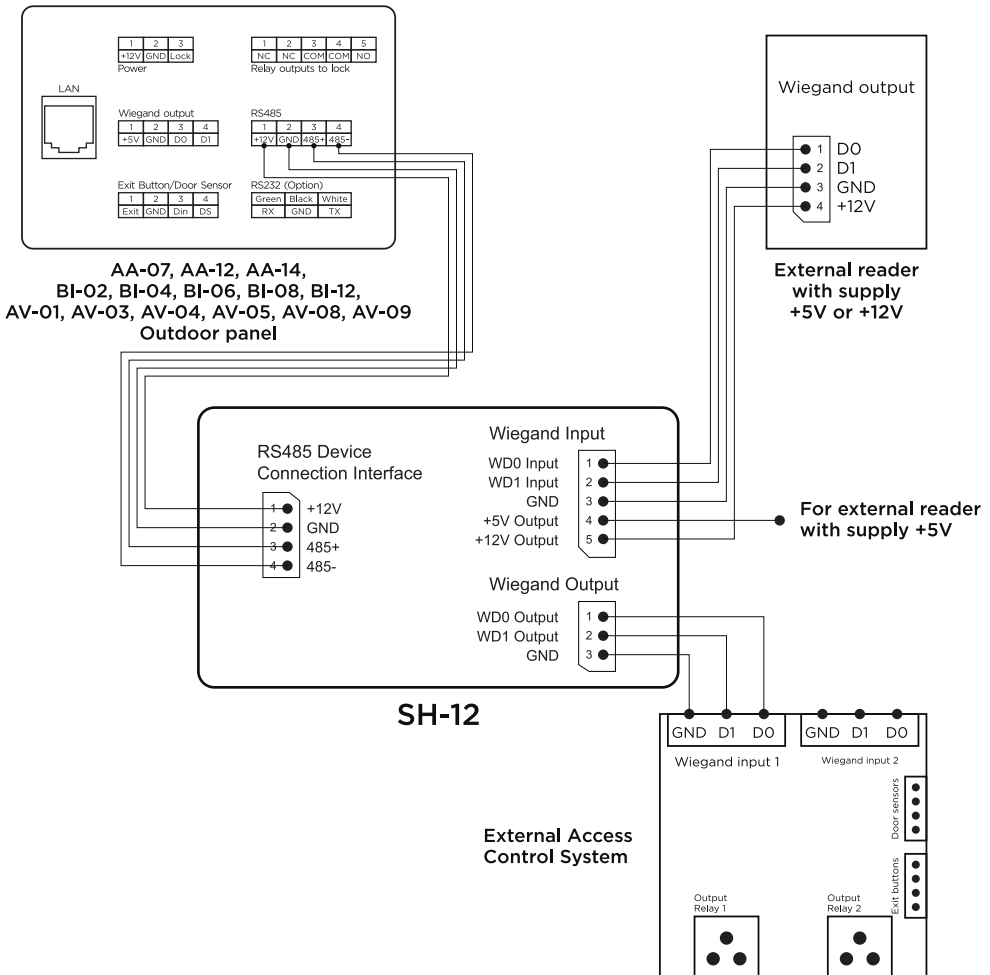
Completeness check of the product

Before installing the module, be sure to check that it is complete and all components are available.

The module kit includes:

SH-12 Module	1 pc
Instruction Manual	1 pc
Mounting Screws	2 pcs
Connectors with wires for connection	3 pcs

Wiring diagram of electrical connections



Warranty

The warranty card number _____

Model name _____

Serial number _____

Seller name _____

With following stated terms of warranty is familiar, functional test was performed in my presence:

Customer signature _____

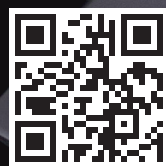
Warranty conditions

The warranty period of the product — 36 (thirty-six) months from the date of sale.

- Transportation of product must be in its original packaging or supplied one by the seller.
- The product is accepted in warranty repair only with a properly filled warranty card and the presence of intact stickers or labels.
- The product is accepted for examination in accordance with the cases provided by law, only in the original packaging, in a full complete set, appearance corresponding to the new equipment and presence of all relevant properly filled documents.
- This warranty is in addition to the constitutional and other consumer rights and in no way restrict them.

Terms of warranty

- The warranty card must indicate the name of the model, serial number, purchase date, name of the seller, seller company stamp and the customer's signature.
- Delivery to the warranty repair is carried out by the buyer himself.
- Warranty repairs carried out only during the warranty period specified in the warranty card.
- The service center is committed to do everything possible to carry out the repair warranty products, up to 24 working days. The period spent on the restoration of product functionality is added to the warranty period.



www.bas-ip.com